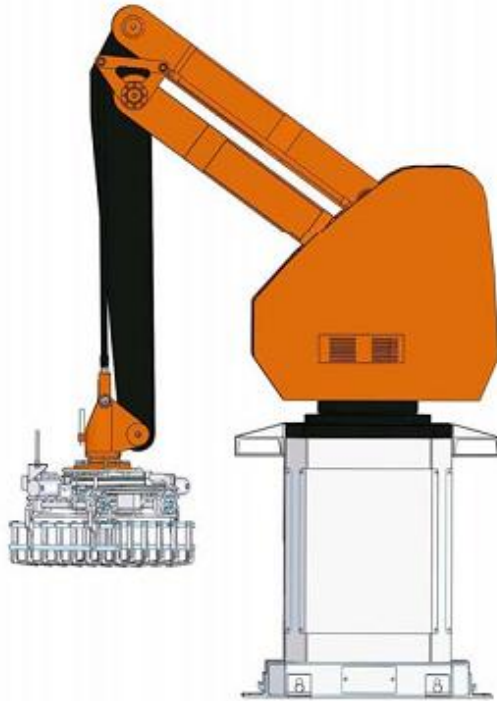




Palletizing robot quotation file

Brief introduction

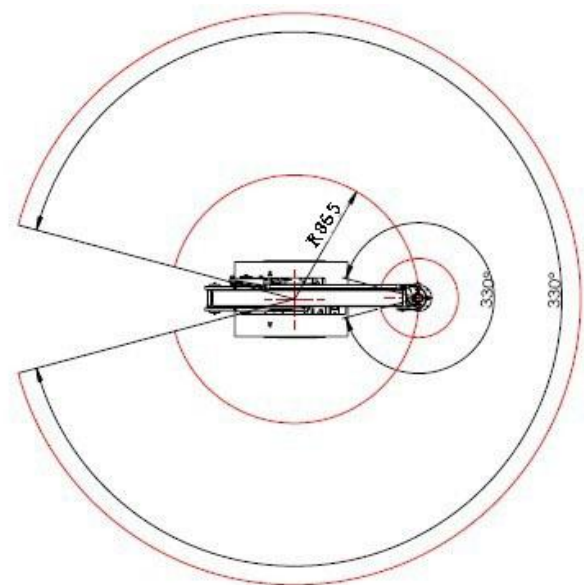
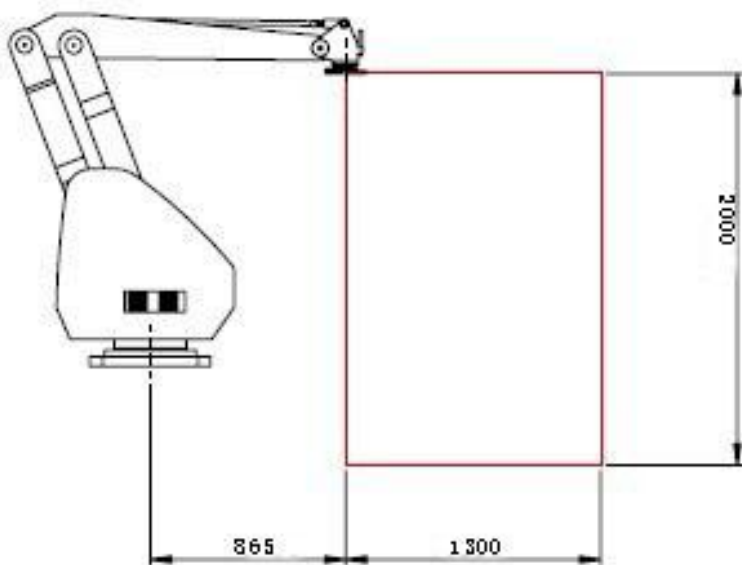
Eagle XY-SR series palletizing robot is four free-degree cylinder surface coordinate palletizing robot, mainly move by horizontal movement axis, vertical movement axis, rotation foundation and front hand axis.



Palletizing robot(body+hand)



Movement range



XYSR---130 series palletizing robot quotation file

Technical parameter

Item		Specification
Model		XY-SR-130
Controlled axis		4 axis (A. B. C. D)
Installation		Install on floor
Motion Range	A (horizontal)	1300mm
	B (vertical)	2100mm
	C (body)	330°
	D (hand)	330°
Max. Load Capacity(contains hand)		120Kg
Handing Capacity		900 time / hour
Drive capacity		AC servo motor drive
Placement accuracy		±0.5mm
Power		4.5KW
Weight		800Kg± 10%

Main electrical component

No	Parts name	Model	QTY	Supplier	Note
1	A axis servo motor	MSME202G1H	1	Panasonic	Japan
2	B axis servo motor	MDME202G1H	1	Panasonic	Japan
3	C axis servo motor	MDME202G1H	1	Panasonic	Japan
4	D axis servo motor	MSMD042G1U	1	Panasonic	Japan
5	A axis servo amplifier	MDDHT5540	1	Panasonic	Japan
6	B axis servo amplifier	MFDHTB3A2	1	Panasonic	Japan
7	C axis servo amplifier	MFDHTB3A2	1	Panasonic	Japan
8	D axis servo amplifier	MBDHT2510	1	Panasonic	Japan
9	A axis synchronous belt	OMEGA HP B20	1	OPTIBELT	Germany
10	B axis synchronous belt	OMEGA HP B20	1	OPTIBELT	Germany
11	C axis synchronous belt	OMEGA HP B15	1	OPTIBELT	Germany
12	B axis screw	R50*20-S	1	HIWIN	Taiwan
13	C axis screw	R45*12-S	1	HIWIN	Taiwan
14	B axis slider, guild rail	SNS35LR2SSC1-690	2	THK	Japan
15	C axis slider, guild rail	SNS35LR2SSC1-520	2	THK	Japan
16	A axis reducer	FC-A4-69	1	Sumitomo	Japan
17	D axis reducer	F2C-T155	1	Sumitomo	Japan
18	Controller	/	1	ADI	America
19	Touch screen	GP2301H	1	Pro-face	Japan
20	Regenerative resistor	RXLG500~1000	4	JIAYINGDA	
21	Limit switch	SL1-AK	5	AZBIL	Japan
22	Optoelectronic switch	E3Z-D82	5	Omron	Japan

23	Solenoid valve	SY5120/7120	2	SMC	Japan
24	Press-bag cylinder	MGPM25	2	SMC	Japan
25	Hand grab cylinder	CG1BN63	4	SMC	Japan
26	Bearing	///	6	SKF	Switzerland

